



**HI LIFT
CRANES**

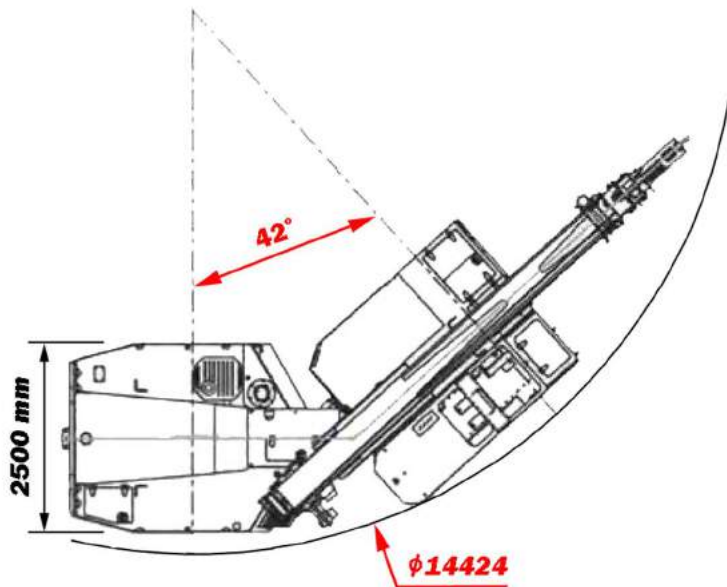
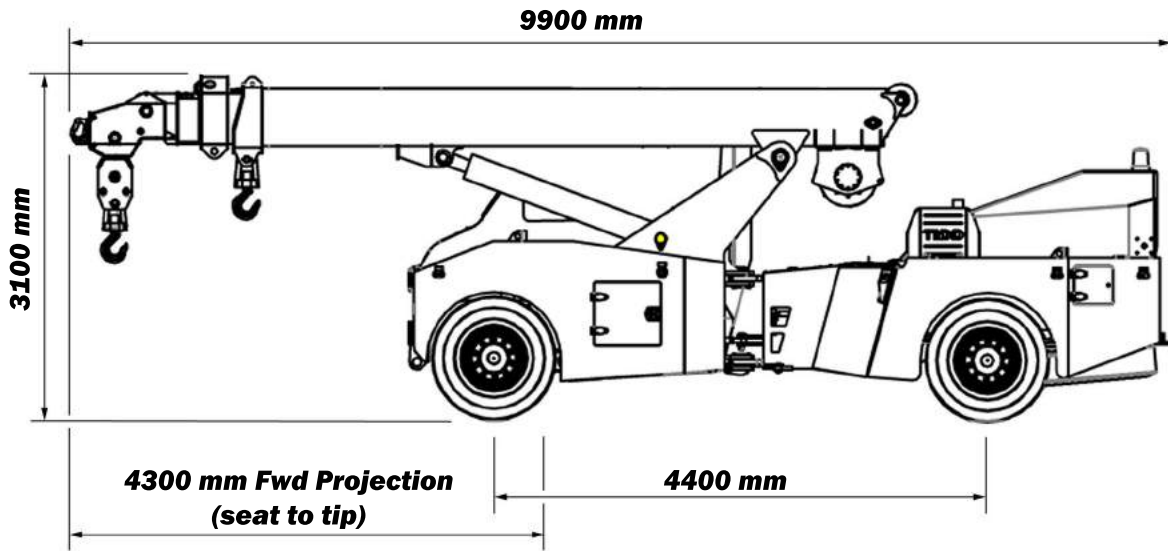
**TIDD
CRANE IIII**



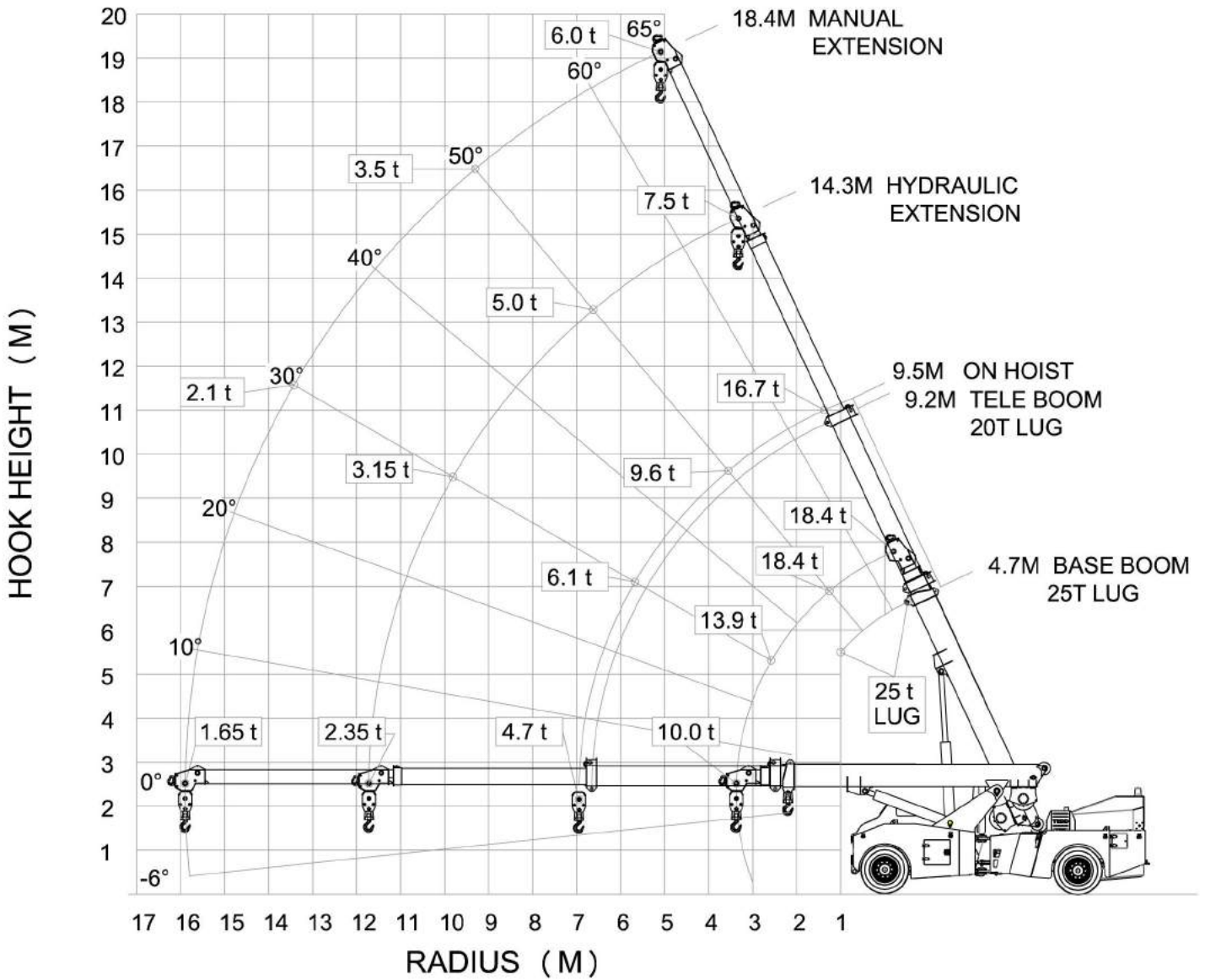
PC25

**25-TONNE CAPACITY
PICK & CARRY CRANE**

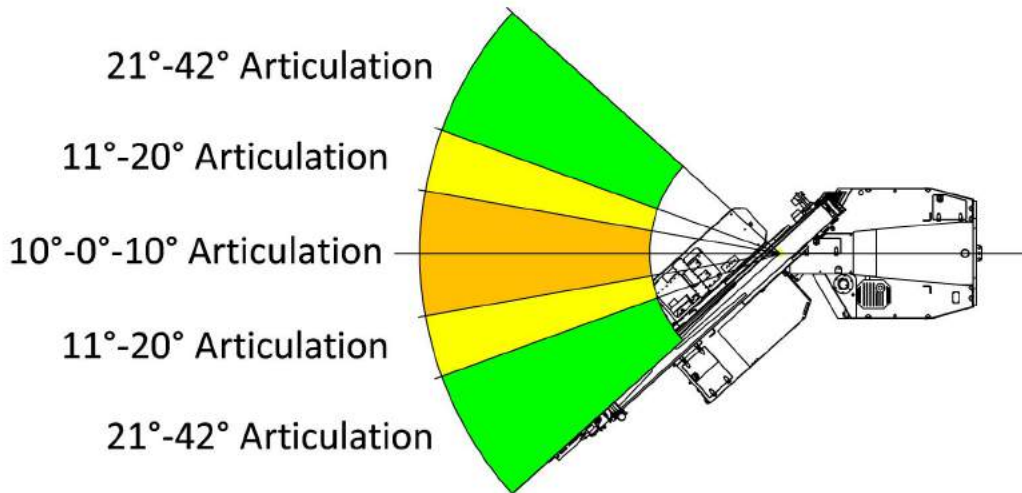
PC25 DIMENSIONS



RANGE DIAGRAM PC25



WORKING AREA DIAGRAM



MAIN HOIST			REAR COUNTERWEIGHT															MANUAL RETRACTED				HALF EXTENDED		FULLY EXTENDED	
Radius (M)	Boom Length (M)															Radius (M)	Boom (M)	Radius (M)	Boom (M)						
	6.0	6.5	7.0	7.5	8.0	8.5	9.0	9.5	10.0	10.5	11.0	11.5	12.0	12.5	13.0	13.5	14.3	16.2	18.5						
1.0	18400	18400	18400	18400														4.3	8500	7000					
	17480	17480	17480	17480															8075	6650					
	15640	15640	15640	15640															7225	5950					
	53	57	60	62															65	62					
1.5	18400	18400	18400	18400	18400	18400												5	8500	5700					
	17480	17480	17480	17480	17480	17480													8075	5420					
	15640	15640	15640	15640	15640	15640													7225	4850					
	47	51	55	57	60	62													62	59					
2.0	17200	17130	17060	16990	16920	16850	16780	16710										6	6800	5250					
	16340	16270	16210	16140	16070	16010	15940	15870											6460	4980					
	14620	14560	14500	14440	14380	14320	14260	14200											5780	4460					
	40	46	49	53	55	58	60	61											58	55					
2.5	15690	15580	15470	15350	15240	15120	15170	15140	15100	15070								7	5920	4790					
	14910	14800	14690	14590	14480	14440	14410	14380	14350	14310									5624	4550					
	13340	13240	13150	13050	12950	12920	12890	12860	12840	12810									5032	3590					
	32	39	44	48	51	54	56	58	60	61									54	51					
3.0	14110	14030	13950	13870	13790	13730	13670	13610	13560	13520	13480	13440	13400					8	4740	3970					
	13400	13330	13250	13180	13100	13040	12990	12930	12880	12840	12800	12770	12730						4503	3770					
	11990	11930	11860	11790	11720	11670	11620	11570	11520	11490	11460	11420	11390						3555	3370					
	20	31	38	42	46	49	52	54	56	58	60	61	62						49	47					
3.5	12670	12600	12540	12470	12410	12360	12300	12250	12200	12150	12110	12070	12030	11620	11220	10810		9	4180	3150					
	12030	11970	11910	11850	11790	11740	11690	11640	11590	11550	11510	11470	11430	11040	10660	10270			3971	2990					
	10770	10710	10660	10600	1	10500	10460	10410	10370	10330	10300	10260	10230	9880	9530	9190			3553	2680					
	0	21	30	36	41	45	48	50	53	55	57	58	60	61	62	63			45	43					
4.0	11180	11130	11080	11030	10980	10930	10880	10840	10790	10750	10710	10670	10630	10600	10530	10470	10400	10	3615	2910					
	10620	10570	10520	10480	10430	10390	10340	10290	10250	10210	10170	10130	10100	10070	10010	9940	9880		3434	2770					
	9500	9460	9420	9380	9330	9290	9250	9210	9170	9140	9100	9070	9010	8950	8900	8840			3073	2480					
	0	21	29	35	40	43	46	49	51	53	55	57	58	60	61	63			39	38					
4.5	9860	9830	9790	9760	9720	9690	9650	9620	9590	9550	9520	9450	9390	9320	9250			11	3270	2680					
	9370	9330	9300	9270	9230	9200	9170	9140	9110	9080	9050	8980	8920	8850	8790				3107	2540					
	8380	8350	8320	8290	8260	8230	8200	8180	8150	8120	8090	8040	7980	7920	7860				2780	2270					
	0	20	28	34	38	42	45	48	50	52	54	56	57	59	60				33	33					
5.0	8570	8550	8530	8510	8490	8470	8440	8420	8400	8380	8310	8240	8170	8100				12	2920	2390					
	8140	8120	8100	8080	8060	8040	8020	8000	7980	7960	7890	7830	7760	7700					2774	2150					
	7290	7270	7250	7230	7210	7200	7180	7160	7140	7120	7060	7000	6940	6890					2482	2030					
	0	19	27	33	37	41	44	47	49	51	53	54	56	58					26	26					
6.0	7080	7080	7040	7020	7000	6980	6950	6930	6890	6840	6800	6750						13	2655	2110					
	6730	6730	6690	6670	6650	6630	6610	6590	6540	6500	6460	6410							2390	2000					
	6020	6020	5980	5960	5950	5930	5910	5890	5850	5820	5780	5740							2257	1790					
	0	18	26	31	35	39	42	45	47	49	51	53							16	18					
7.0	5590	5570	5550	5530	5510	5490	5460	5440	5420	5400	5380	5310	5250	5190	5170	5150	5130	13.7	2565	1950					
	5310	5290	5270	5250	5230	5210	5190	5170	5150	5130	5110	5040	4980	4920	4860	4800	4740		2437	1850					
	4750	4730	4720	4700	4680	4660	4640	4630	4610	4590	4570	4550	4530	4510	4490	4470	4450		2180	1650					
	0	17	25	30	34	37	40	43	45	48									0	0					
8.0	4910	4890	4860	4840	4810	4790	4760	4740										15.9	22	28					
	4670	4640	4620	4600	4570	4550	4530	4510											22	28					
	4170	4150	4130	4110	4090	4070	4050	4030											22	28					
	0	16	23	28	32	36	39	42											22	28					
9.0	4220	4190	4160	4140	4110	4080	4060	4040										18	22	28					
	4010	3980	3950	3930	3900	3880	3860	3840											22	28					
	3580	3560	3540	3510	3490	3470	3450	3430											22	28					
	0	16	22	27	31	36	39	42											22	28					
10.0	3660	3640	3620	3590														20	22	28					
	3480	3460	3440	3410															22	28					
	3110	3090	3070	3050															22	28					
	0	15	22	27	31	36	39	42											22	28					
11.0	3200	3110																22	22	28					
	3040	2950																	22	28					
	2720	2640																	22	28					
	0	18																	22	28					
11.8	2890																	24	22	28					
	2740																		22	28					
	2450																		22	28					
	0																		22	28					

LEGEND	
	0° - 10° articulation
	11° - 20° articulation
	21° - 42° articulation
	Boom angle in degrees

LOADS ABOVE THE RED LINE ARE LIMITED STRUCTURALLY
 LOADS BELOW THE RED LINE ARE LIMITED BY STABILITY



MAIN HOIST																	NO COUNTERWEIGHT																	MANUAL RETRACTED																	HALF EXTENDED		FULLY EXTENDED	
Radius (M)	Boom Length (M)																Radius (M)	Boom (M)	Radius (M)	Boom (M)																																		
	6.0	6.5	7.0	7.5	8.0	8.5	9.0	9.5	10.0	10.5	11.0	11.5	12.0	12.5	13.0	13.5	14.3	16.2	18.5																																			
1.0	18400	18400	18400	18400														4.3	7020	6000																																		
	17480	17480	17480	17480															5.1	5700																																		
	15640	15640	15640	15640															5.1	5100																																		
1.5	53	57	60	62														5	65	65																																		
	18400	18400	18400	18400	18400	18400													6	6000																																		
	17480	17480	17480	17480	17480	17480													6	5700																																		
2.0	15640	15640	15640	15640	15640	15640												6	5967	5100																																		
	47	51	55	57	60	62													7	4900																																		
	17200	17130	17060	16990	16920	16850	16780	16710											7	4655																																		
2.5	16340	16274	16207	16141	16074	16008	15941	15875										7	5510	4165																																		
	14620	14561	14501	14442	14382	14323	14263	14204											8	4090																																		
	40	46	48	53	55	58	60	61											8	3886																																		
3.0	13900	13870	13840	13800	13770	13740	13710	13670	13640	13610								8	4930	3477																																		
	13205	13177	13148	13110	13082	13053	13025	12987	12958	12930									9	3510																																		
	11815	11790	11764	11730	11705	11679	11654	11620	11594	11569									9	3335																																		
3.5	32	39	44	48	51	54	56	58	60	61								9	54	55																																		
	11450	11400	11360	11310	11270	11220	11180	11130	11080	11040	10990	10950	10900						10	3110																																		
	10878	10830	10792	10745	10707	10659	10621	10574	10526	10488	10441	10403	10355						10	2955																																		
4.0	9733	9690	9656	9614	9580	9537	9503	9461	9418	9384	9342	9308	9265					10	3064	2633																																		
	20	31	38	42	46	49	52	54	56	58	60	61	62						11	2644																																		
	10000	9940	9880	9820	9760	9700	9640	9580	9520	9460	9400	9340	9280	9220	9160	9100			11	2710																																		
4.5	9500	9443	9386	9329	9272	9215	9158	9101	9044	8987	8930	8873	8816	8759	8702	8645		11	3406	2955																																		
	8500	8449	8398	8347	8296	8245	8194	8143	8092	8041	7990	7939	7888	7837	7786	7735			12	2644																																		
	0	21	30	36	41	45	48	50	53	55	57	58	60	61	62	63			12	2644																																		
5.0	8800	8720	8630	8540	8450	8370	8280	8190	8110	8020	7930	7850	7760	7670	7590	7500		12	45	47																																		
	8360	8284	8199	8113	8028	7952	7866	7781	7705	7619	7534	7458	7372	7287	7211	7125			13	2710																																		
	7480	7412	7336	7259	7183	7115	7038	6962	6894	6817	6741	6673	6596	6520	6452	6375			13	2575																																		
5.5	0	21	29	35	40	43	46	49	51	53	55	57	58	60	61	63		13	2931	2304																																		
	7610	7550	7500	7440	7380	7330	7270	7220	7160	7100	7050	6990	6940	6880	6820		14		2390																																			
	7230	7173	7125	7068	7011	6964	6907	6859	6802	6745	6698	6641	6593	6536	6479		14		2270																																			
6.0	6469	6418	6375	6324	6273	6231	6180	6137	6086	6035	5993	5942	5899	5848	5797		13.7	2333	2032																																			
	0	20	28	34	38	42	45	48	50	52	54	56	57	59	60			15	2390																																			
	6920	6860	6800	6740	6680	6620	6560	6500	6440	6380	6320	6260	6200	6150		15		2270																																				
6.5	6574	6517	6460	6403	6346	6289	6232	6175	6118	6061	6004	5947	5890	5843		13.7	33	38																																				
	5882	5831	5780	5729	5678	5627	5576	5525	5474	5423	5372	5321	5270	5228			15	2110																																				
	0	19	27	33	37	41	44	47	49	51	53	54	56	58			15	2005																																				
7.0	5650	5650	5640	5640	5630	5630	5620	5620	5610	5610	5600	5600					13.7	2405	1930																																			
	5368	5368	5358	5358	5349	5349	5339	5339	5330	5330	5320	5320						15	1737																																			
	4803	4803	4794	4786	4786	4777	4777	4769	4769	4760	4760	4760						15	1641																																			
7.5	0	18	26	31	35	39	42	45	47	49	51	53					13.7	16	26																																			
	4700	4680	4660	4640	4630	4610	4590	4570	4550	4530	4510	4500						15	1760																																			
	4465	4446	4427	4408	4389	4370	4351	4332	4313	4294	4275	4256						15	1672																																			
8.0	3995	3978	3961	3944	3936	3919	3902	3885	3868	3851							13.7	1721	1496																																			
	0	17	25	30	34	37	40	43	45	48								15.9	18																																			
	3980	3970	3970	3960	3960	3950	3950	3940	3940	3930	3930	3920						15.9	1650																																			
8.5	3781	3772	3772	3762	3762	3753	3753	3743	3743	3733	3733	3723					13.7	0	1568																																			
	3383	3375	3375	3366	3366	3358	3358	3349	3349	3339	3339	3329						15.9	1403																																			
	0	16	23	28	32	36	39	42										15.9	0																																			
9.0	3410	3400	3400	3390	3390	3380	3380	3370	3370	3360	3360	3350					13.7	2650	2590																																			
	3240	3230	3230	3221	3221	3211	3211	3201	3201	3191	3191	3181						15.9	2461																																			
	2899	2890	2890	2882	2882	2872	2872	2862	2862	2852	2852	2842						15.9	2202																																			
9.5	0	16	22	27	31	36	39	42									13.7	2253	2202																																			
	2940	2920	2920	2910	2910	2900	2900	2890										15.9	1998																																			
	2793	2774	2774	2765	2765	2755	2755	2746										15.9	0																																			
10.0	2499	2482	2482	2465	2465	2457	2457	2447									13.7	0	2350																																			
	0	15	22	28	33	39	42											15.9	2233																																			
	2940	2920	2920	2910	2910	2900	2900	2890										15.9	1998																																			
10.5	2793	2774	2774	2765	2765	2755	2755	2746									13.7	2499	2457																																			
	2499	2482	2482	2465	2465	2457	2457	2447										15.9	2233																																			
	0	15	22	28	33	39	42											15.9	1998																																			
11.0	2650	2650	2650	2650	2650	2650	2650	2650									13.7	2650	2590																																			
	2518	2518	2518	2518	2518	2518	2518	2518										15.9	2461																																			
	2253	2253	2253	2253	2253	2253	2253	2253										15.9	2202																																			
11.8	0	18															13.7	0	18																																			
	LOADS ABOVE THE RED LINE ARE LIMITED STRUCTURALLY																	15.9	2350																																			
	LOADS BELOW THE RED LINE ARE LIMITED BY STABILITY																	15.9	2233																																			

LEGEND	
	0° - 10° articulation
	11° - 20° articulation
	21° - 42° articulation
	Boom angle in degrees

LOADS ABOVE THE RED LINE ARE LIMITED STRUCTURALLY
LOADS BELOW THE RED LINE ARE LIMITED BY STABILITY

10T RHINO HOOK														REAR COUNTERWEIGHT				MANUAL RETRACTED				HALF EXTENDED		FULLY EXTENDED	
Radius	Boom Length (M)													Radius	Boom (M)	Radius	Boom (M)								
(M)	6.3	6.5	7.0	7.5	8.0	8.5	9.0	9.5	10.0	10.5	11.0	11.5	12.0	12.5	13.0	13.5	14.6	(M)	16.5	(M)	18.8				
1.0	10000	10000	10000	10000														4.4	8400	5.1	7000				
	10000	10000	10000	10000															7980		6650				
	10000	10000	10000	10000															7140		5950				
	53	57	60	62															65		65				
1.5	10000	10000	10000	10000	10000	10000												5.0	8400	6.0	7000				
	10000	10000	10000	10000	10000	10000													7980		6650				
	10000	10000	10000	10000	10000	10000													7140		5950				
	47	51	55	57	60	62													63		62				
2.0	10000	10000	10000	10000	10000	10000	10000	10000										6.0	6800	7.0	5700				
	10000	10000	10000	10000	10000	10000	10000	10000											6460		5420				
	10000	10000	10000	10000	10000	10000	10000	10000											5780		4850				
	40	46	49	53	55	58	60	61											59		59				
2.5	10000	10000	10000	10000	10000	10000	10000	10000	10000	10000								7.0	5920	8.0	5250				
	10000	10000	10000	10000	10000	10000	10000	10000	10000	10000									5624		4980				
	10000	10000	10000	10000	10000	10000	10000	10000	10000	10000									5032		4460				
	32	39	44	48	51	54	56	58	60	61									55		55				
3.0	10000	10000	10000	10000	10000	10000	10000	10000	10000	10000	10000	10000						8.0	4740	9.0	4790				
	10000	10000	10000	10000	10000	10000	10000	10000	10000	10000	10000	10000							4503		4550				
	9730	9680	9660	9610	9580	9540	9500	9460	9420	9380	9340	9310	9270						3555		3590				
	20	31	38	42	46	49	52	54	56	58	60	61	62						50		51				
3.5	10000	10000	10000	10000	10000	10000	10000	10000	10000	10000	10000	10000	10000	10000	10000	10000		9.0	4180	10.0	3970				
	9500	9500	9500	9500	9500	9500	9500	9500	9500	9500	9500	9500	9500	9500	9500	9500			3971		3770				
	8500	8500	8500	8500	8500	8500	8500	8500	8500	8500	8500	8500	8500	8500	8500	8500			3553		3370				
	21	30	36	41	45	48	50	53	55	57	58	60	61	62	63				46		47				
4.0	10000	10000	10000	10000	10000	10000	10000	10000	10000	10000	10000	10000	10000	10000	10000	10000	10000	10.0	3615	11.0	3150				
	9500	9500	9500	9500	9500	9500	9500	9500	9500	9500	9500	9500	9500	9500	9500	9500	9500		3434		2990				
	8500	8500	8500	8500	8500	8500	8500	8500	8500	8500	8500	8500	8500	8500	8500	8500	8500		3073		2680				
	0	21	29	35	40	43	46	49	51	53	55	57	58	60	61	63			41		43				
4.5			9860	9830	9790	9760	9720	9690	9650	9620	9590	9550	9520	9450	9390	9320	9250	11.0	3270	12.0	2910				
			9370	9330	9300	9270	9230	9200	9170	9140	9110	9080	9050	8980	8920	8850	8790		3107		2770				
			8380	8350	8320	8290	8260	8230	8200	8180	8150	8120	8090	8040	7980	7920	7860		2780		2480				
			0	20	28	34	38	42	45	48	50	52	54	56	57	59	60		35		38				
5.0				8570	8550	8530	8510	8490	8470	8440	8420	8400	8380	8310	8240	8170	8100	12.0	2920	13.0	2680				
				8140	8120	8100	8080	8060	8040	8020	8000	7980	7960	7890	7830	7760	7700		2774		2540				
				7290	7270	7250	7230	7210	7200	7180	7160	7140	7120	7060	7000	6940	6890		2482		2270				
				0	19	27	33	37	41	44	47	49	51	53	54	56	58		28		33				
6.0					7080	7080	7040	7020	7000	6980	6950	6930	6890	6840	6800	6750		13.0	2655	14.0	2390				
					6730	6730	6690	6670	6650	6630	6610	6590	6540	6500	6460	6410			2390		2150				
					6020	6020	5980	5960	5950	5930	5910	5890	5850	5820	5780	5740			2257		2030				
					0	18	26	31	35	39	42	45	47	49	51	53			20		26				
7.0						5590	5570	5550	5530	5510	5490	5460	5440	5420	5400			14.0	2500	15.0	2110				
						5310	5290	5270	5250	5230	5210	5190	5170	5150	5130				2375		2000				
						4750	4730	4720	4700	4680	4660	4640	4630	4610	4590				2125		1790				
						0	17	25	30	34	37	40	43	45	48				0		18				
8.0									4910	4890	4860	4840	4810	4790	4760	4740		16.0		16.0	1940				
									4670	4640	4620	4600	4570	4550	4530	4500					1840				
									4170	4150	4130	4110	4090	4070	4050	4030					1650				
									0	16	23	28	32	36	39	42					9				
9.0												4220	4190	4160	4140	4110	4080	16.2		16.2	1900				
												4010	3980	3950	3930	3900	3880				1810				
												3580	3560	3540	3510	3490	3470				1620				
												0	16	22	27	31	36				0				
10.0														3660	3640	3620	3590								
														3480	3460	3440	3410								
														3110	3090	3070	3050								
														0	15	22	28								
11.0																3200	3110								
																3040	2950								
																2720	2640								
																0	18								
12.0																	2810								
																	2670								
																	2390								
																	0								

LEGEND	
	0* - 10* articulation
	11* - 20* articulation
	21* - 42* articulation
	Boom angle in degrees

LOADS ABOVE THE RED LINE ARE LIMITED STRUCTURALLY
 LOADS BELOW THE RED LINE ARE LIMITED BY STABILITY



10T RHINO HOOK																NO COUNTERWEIGHT																MANUAL RETRACTED																HALF EXTENDED		FULLY EXTENDED	
Radius	Boom Length (M)															Radius	Boom (M)	Radius	Boom (M)																																
(M)	6.3	6.5	7.0	7.5	8.0	8.5	9.0	9.5	10.0	10.5	11.0	11.5	12.0	12.5	13.0	13.5	14.6	(M)	16.5	(M)	18.8																														
1.0	10000	10000	10000	10000														4.4	7020	5.1	6000																														
	10000	10000	10000	10000															6669		5700																														
	10000	10000	10000	10000															5967		5100																														
	53	57	60	62															65		65																														
1.5	10000	10000	10000	10000	10000	10000												5.0	7020	6.0	6000																														
	10000	10000	10000	10000	10000	10000													6669		5700																														
	10000	10000	10000	10000	10000	10000													5967		5100																														
	47	51	55	57	60	62													63		62																														
2.0	10000	10000	10000	10000	10000	10000	10000	10000										6.0	5800	7.0	4900																														
	10000	10000	10000	10000	10000	10000	10000	10000											5510		4655																														
	10000	10000	10000	10000	10000	10000	10000	10000											4930		4165																														
	40	46	49	53	55	58	60	61											59		59																														
2.5	10000	10000	10000	10000	10000	10000	10000	10000	10000	10000								7.0	4930	8.0	4090																														
	10000	10000	10000	10000	10000	10000	10000	10000	10000	10000									4684		3886																														
	10000	10000	10000	10000	10000	10000	10000	10000	10000	10000									4191		3477																														
	32	39	44	48	51	54	56	58	60	61									55		55																														
3.0	10000	10000	10000	10000	10000	10000	10000	10000	10000	10000	10000	10000	10000					8.0	4085	9.0	3510																														
	10000	10000	10000	10000	10000	10000	10000	10000	10000	10000	10000	10000	10000						3881		3335																														
	9733	9680	9656	9614	9580	95371	9503	9461	9418	9384	9342	9308	9265						3064		2633																														
	20	31	38	42	46	49	52	54	56	58	60	61	62						50		51																														
3.5	10000	9940	9880	9820	9760	9700	9640	9580	9520	9460	9400	9340	9280	9220	9160	9100		9.0	3585	10.0	3110																														
	9500	9443	9386	9329	9272	9215	9158	9101	9044	8987	8930	8873	8816	8759	8702	8645			3406		2955																														
	8500	8449	8398	8347	8296	8245	8194	8143	8092	8041	7990	7939	7888	7837	7786	7735			3047		2644																														
	0	21	30	36	41	45	48	50	53	55	57	58	60	61	62	63			46		47																														
4.0	8800	8720	8630	8540	8450	8370	8280	8190	8110	8020	7930	7850	7760	7670	7590	7500		10.0	3085	11.0	2710																														
	8360	8284	8199	8113	8028	7952	7866	7781	7705	7619	7534	7458	7372	7287	7211	7125			2931		2575																														
	7480	7412	7336	7259	7183	7115	7038	6962	6894	6817	6741	6673	6596	6520	6452	6375			2622		2304																														
	0	21	29	35	40	43	46	49	51	53	55	57	58	60	61	63			41		43																														
4.5	7610	7550	7500	7440	7380	7330	7270	7220	7160	7100	7050	6990	6940	6880	6820		11.0	2745	12.0	2390																															
	7230	7173	7125	7068	7011	6964	6907	6859	6802	6745	6698	6641	6593	6536	6479			2608		2270																															
	6469	6418	6375	6324	6273	6231	6180	6137	6086	6035	5993	5942	5899	5848	5797			2333		2032																															
	0	20	28	34	38	42	45	48	50	52	54	56	57	59	60			35		38																															
5.0	6920	6860	6800	6740	6680	6620	6560	6500	6440	6380	6320	6260	6200	6150		12.0	2405	13.0	2110																																
	6574	6517	6460	6403	6346	6289	6232	6175	6118	6061	6004	5947	5890	5843			2285		2005																																
	5882	5831	5780	5729	5678	5627	5576	5525	5474	5423	5372	5321	5270	5228			2044		1794																																
	0	19	27	33	37	41	44	47	49	51	53	54	56	58			28		33																																
6.0	5650	5650	5640	5640	5630	5630	5620	5620	5610	5610	5600	5600		13.0	2215	14.0	1930																																		
	5368	5368	5358	5358	5349	5349	5339	5339	5330	5330	5320	5320			1994		1737																																		
	4803	4803	4794	4794	4786	4786	4777	4777	4769	4769	4760	4760			1883		1641																																		
	0	18	26	31	35	39	42	45	47	49	51	53			20		26																																		
7.0	4700	4680	4660	4640	4630	4610	4590	4570	4550	4530		14.0	1980	15.0	1760																																				
	4465	4446	4427	4408	4399	4380	4361	4342	4323	4304			1881		1672																																				
	3995	3978	3961	3944	3936	3919	3902	3885	3868	3851			1683		1496																																				
	0	17	25	30	34	37	40	43	45	48			0		18																																				
8.0	3980	3970	3970	3960	3960	3950	3950	3940		16.0	1630	16.2	1630																																						
	3781	3772	3772	3762	3762	3753	3753	3743			1549		1530																																						
	3383	3375	3375	3366	3366	3358	3358	3349			1386		1369																																						
	0	16	23	28	32	36	39	42			9		9																																						
9.0	3410	3400	3400	3390	3390	3390		17.0	1610	17.2	1610																																								
	3240	3230	3230	3221	3221	3221			1530		1530																																								
	2899	2890	2890	2882	2882	2882			1369		1369																																								
	0	16	22	27	31	36			0		0																																								
10.0	2940	2920	2900	2890		18.0	1290	18.2	1290																																										
	2793	2774	2755	2746			1176		1176																																										
	2499	2482	2465	2457			1947		1947																																										
	0	15	22	28			0		0																																										
11.0	2650	2590		19.0	1160	19.2	1160																																												
	2518	2461			1046		1046																																												
	2253	2202			932		932																																												
	0	18			0		0																																												
12.0	2290		20.0	1010	20.2	1010																																													
	2176			906		906																																													
	1947			802		802																																													
	0			0		0																																													

LEGEND	
	0* - 10* articulation
	11* - 20* articulation
	21* - 42* articulation
	Boom angle in degrees

LOADS ABOVE THE RED LINE ARE LIMITED STRUCTURALLY
 LOADS BELOW THE RED LINE ARE LIMITED BY STABILITY



TELE BOOM 1 - 20T LIFTING LUG

NO COUNTERWEIGHT												REAR COUNTERWEIGHT											
Boom Length (M)	6.0	6.9	7.9	8.9	9.9	10.9	11.9	12.9	13.9	14.3	Boom Length (M)	6.0	6.9	7.9	8.9	9.9	10.9	11.9	12.9	13.9	14.3		
Lug Length (M)	5.0	5.5	6.0	6.5	7.0	7.5	8.0	8.5	9.0	9.2	Lug Length (M)	5.0	5.5	6.0	6.5	7.0	7.5	8.0	8.5	9.0	9.2		
Radius(M)											Radius(M)												
1.0	20000	20000	20000	20000	19800	18300	16800				20000	20000	20000	20000	20000	20000	20000	20000					
	19000	19000	19000	19000	18810	17385	15960				19000	19000	19000	19000	19000	19000	19000	19000					
	17000	17000	17000	17000	16830	15555	14280				17000	17000	17000	17000	17000	17000	17000	17000					
	45	50	54	57	60	62	64				45	50	54	57	60	62	64						
1.5	20000	20000	20000	19900	18433	16967	15500	14033	12567	11100	20000	20000	20000	20000	20000	20000	20000	20000	20000	20000	20000		
	19000	19000	19000	18905	17512	16118	14725	13332	11938	10545	19000	19000	19000	19000	19000	19000	19000	19000	19000	19000	19000		
	17000	17000	17000	16915	15668	14422	13175	11928	10682	9435	17000	17000	17000	17000	17000	17000	17000	17000	17000	17000	17000		
	36	43	48	51	55	57	60	62	63	64	36	43	48	51	55	57	60	62	63	64			
2.0	17300	17200	17100	17000	16250	14750	13300	12283	11267	10250	18000	17778	17556	17333	17111	16889	16667	16444	16222	16000	16000		
	16435	16340	16245	16150	15438	14013	12635	11669	10703	9738	17100	16889	16678	16467	16256	16044	15833	15622	15411	15200	15200		
	14705	14620	14535	14450	13813	12538	11305	10441	9577	8713	15300	15111	14922	14733	14544	14356	14167	13978	13789	13600	13600		
	25	34	41	46	49	53	55	58	60	60	25	34	41	46	49	53	55	58	60	60			
2.5	13800	13700	13500	13300	13200	13100	12250	11000	10200	9400	15145	14928	14712	14496	14279	14063	13847	13631	13414	13198	13198		
	13110	13015	12825	12635	12540	12445	11638	10450	9690	8930	14387	14182	13976	13771	13566	13360	13155	12949	12744	12538	12538		
	11730	11645	11475	11305	11220	11135	10413	9350	8670	7990	12873	12689	12505	12321	12138	11954	11770	11586	11402	11218	11218		
	0	23	33	39	44	48	51	54	56	57	0	23	33	39	44	48	51	54	56	57			
3.0	11000	10950	10900	10800	10750	10650	10200	9425	8650	8650	13555	13160	12765	12370	11976	11581	11186	10791	10396	10396	10396		
	10450	10403	10355	10260	10213	10118	9690	8954	8218	8218	12877	12502	12127	11752	11377	11002	10627	10252	9877	9877	9877		
	9350	9308	9265	9180	9138	9053	8670	8011	7353	7353	11522	11186	10850	10515	10179	9844	9508	9173	8837	8837	8837		
	0	22	31	38	42	46	49	52	53	53	0	22	31	38	42	46	49	52	53	53			
3.5	9200	9100	9050	9000	8950	8900	8500	8500	7950	7950	11203	10969	10735	10501	10268	10034	9800	9566	9332	9098	9098		
	8740	8645	8598	8550	8503	8455	8075	7553	7553	7553	10643	10421	10198	9976	9754	9532	9310	9088	8866	8644	8644		
	7820	7735	7693	7650	7608	7565	7225	6758	6758	6758	9522	9324	9125	8926	8727	8529	8330	8131	7932	7733	7733		
	0	21	30	36	41	45	48	49	49	49	0	21	30	36	41	45	48	49	49	49			
4.0	7800	7700	7650	7600	7550	7450	7400	7400	7400	7400	9173	9100	9027	8954	8882	8809	8736	8663	8590	8517	8517		
	7410	7315	7268	7220	7173	7078	7030	7030	7030	7030	8714	8645	8576	8507	8438	8369	8300	8231	8162	8093	8093		
	6630	6545	6503	6460	6418	6333	6290	6290	6290	6290	7797	7735	7673	7611	7549	7487	7426	7364	7302	7240	7240		
	0	21	29	35	40	43	45	45	45	45	0	21	29	35	40	43	45	45	45	45			
4.5	6800	6780	6760	6740	6720	6700	6700	6700	6700	6700	8242	8147	8052	7957	7863	7768	7674	7580	7486	7392	7392		
	6460	6441	6422	6403	6384	6365	6365	6365	6365	6365	7830	7740	7650	7560	7470	7380	7290	7200	7110	7020	7020		
	5780	5763	5746	5729	5712	5695	5695	5695	5695	5695	7005	6925	6844	6764	6683	6603	6522	6442	6361	6281	6281		
	0	20	28	34	38	40	40	40	40	40	0	20	28	34	38	40	40	40	40	40			
5.0	6000	6000	6000	6000	6000	6000	6000	6000	6000	6000	7267	7150	7033	6917	6800	6683	6566	6450	6333	6217	6217		
	5700	5700	5700	5700	5700	5700	5700	5700	5700	5700	6903	6793	6682	6571	6460	6350	6240	6130	6020	5910	5910		
	5100	5100	5100	5100	5100	5100	5100	5100	5100	5100	6177	6078	5978	5879	5780	5681	5582	5483	5384	5285	5285		
	0	19	27	33	35	35	35	35	35	35	0	19	27	33	35	35	35	35	35	35			
5.5	5300	5300	5300	5300	5300	5300	5300	5300	5300	5300	6100	6033	5967	5900	5833	5767	5700	5633	5567	5500	5500		
	5035	5035	5035	5035	5035	5035	5035	5035	5035	5035	5795	5732	5668	5605	5542	5479	5416	5353	5290	5227	5227		
	4505	4505	4505	4505	4505	4505	4505	4505	4505	4505	5185	5128	5072	5015	4958	4901	4844	4787	4730	4673	4673		
	0	19	27	29	29	29	29	29	29	29	0	19	27	29	29	29	29	29	29	29			
6.0	4700	4700	4700	4700	4700	4700	4700	4700	4700	4700	5400	5375	5350	5325	5300	5275	5250	5225	5200	5175	5175		
	4465	4465	4465	4465	4465	4465	4465	4465	4465	4465	5130	5106	5083	5060	5037	5014	4991	4968	4945	4922	4922		
	3995	3995	3995	3995	3995	3995	3995	3995	3995	3995	4590	4569	4548	4527	4506	4485	4464	4443	4422	4401	4401		
	0	18	22	22	22	22	22	22	22	22	0	18	22	22	22	22	22	22	22	22			
6.5	4300	4300	4300	4300	4300	4300	4300	4300	4300	4300	5300	5280	5260	5240	5220	5200	5180	5160	5140	5120	5120		
	4085	4085	4085	4085	4085	4085	4085	4085	4085	4085	5035	5016	5001	4986	4971	4956	4941	4926	4911	4896	4896		
	3655	3655	3655	3655	3655	3655	3655	3655	3655	3655	4505	4488	4471	4454	4437	4420	4403	4386	4369	4352	4352		
	0	11	11	11	11	11	11	11	11	11	0	11	11	11	11	11	11	11	11	11			
7.0	4100	4100	4100	4100	4100	4100	4100	4100	4100	4100	4200	4180	4160	4140	4120	4100	4080	4060	4040	4020	4020		
	3895	3895	3895	3895	3895	3895	3895	3895	3895	3895	3990	3970	3950	3930	3910	3890	3870	3850	3830	3810	3810		
	3485	3485	3485	3485	3485	3485	3485	3485	3485	3485	3570	3550	3530	3510	3490	3470	3450	3430	3410	3390	3390		
	0	0	0	0	0	0	0	0	0	0	0	0	0	0	0	0	0	0	0	0			

LEGEND	
Light Green	0° - 10° articulation
Medium Green	11° - 20° articulation
Dark Green	21° - 42° articulation
Red	Boom angle in degrees

LOADS ABOVE THE RED LINE ARE LIMITED STRUCTURALLY
 LOADS BELOW THE RED LINE ARE LIMITED BY STABILITY





**HI LIFT
CRANES**

BASE BOOM - 25T LIFTING LUG	
Lug Length (M)	4.7
Radius(M)	
1.0	25000
	23750
	21250
	41
1.5	18000
	17100
	15300
	30
2.0	16000
	15200
	13600
	15
2.5	15100
	14345
	12835
	0

LEGEND	
	0* - 10* articulation
	11* - 20* articulation
	21* - 42* articulation
	Boom angle in degrees

LOADS ABOVE THE RED LINE ARE LIMITED STRUCTURALLY
LOADS BELOW THE RED LINE ARE LIMITED BY STABILITY

FRONT AXLE WEIGHTS				
RADIUS (M)	HOIST WITH NO C/W MANUAL RETRACTED	HOIST WITH C/W MANUAL RETRACTED	HOIST WITH NO C/W MANUAL EXTENDED	HOIST WITH C/W MANUAL EXTENDED
1.0	31.14	28.86		
1.5	33.38	31.10		
2.0	33.84	31.57		
2.5	30.79	31.31		
3.0	28.39	30.57		
3.5	27.13	29.62		
4.0	26.15	28.39		
4.5	24.91	27.17		
5.0	24.47	25.68		
6.0	23.39	24.49	14.19	13.21
7.0	22.55	22.55	14.20	12.78
8.0	21.90	22.25	14.45	13.03
9.0	21.39	21.58	15.15	13.78
10.0	20.93	21.00	15.82	14.52
11.0	20.84	20.48	16.50	15.26
11.8	20.51	20.26		
12.0			17.20	16.02
13.0			17.86	16.79
14.0			18.55	17.52
15.0			19.25	18.28
15.9			19.87	18.97